



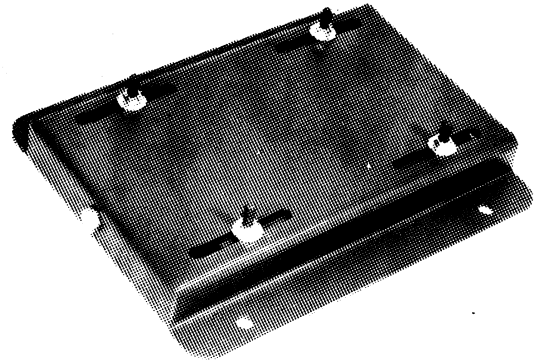
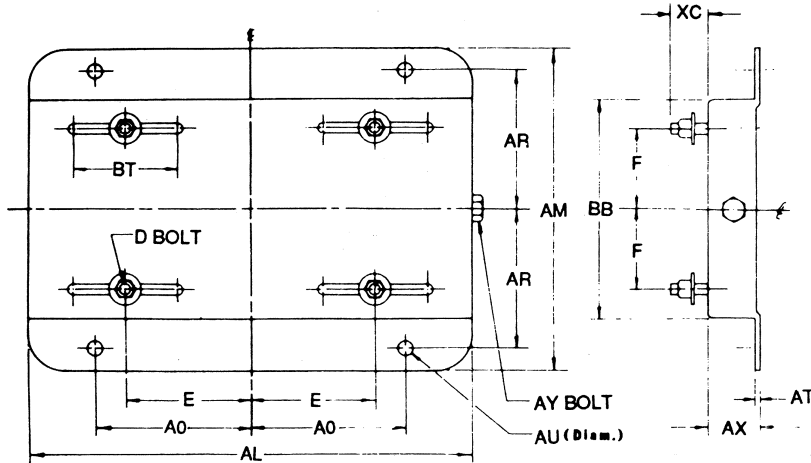
OVERLY HAUTZ COMPANY

PO BOX 837 215 SOUTH WEST STREET LEBANON, OHIO 45036-0873
 PHONE 513.932.0025 FAX 513.932.1688 WWW.OVERLYHAUTZ.COM

NEMA

STEEL ADJUSTABLE

MOTOR BASES



STYLE A

STOCK BASES

FRAME & PART NO.	AL	AM	AX	BB	E	F	AO	AR	AU	BT	AT	XC	D BOLT	AY BOLT	APPROX WT. (LBS)
56	10-5/8	6-1/2	1-1/8	4-1/2	2-7/16	1-1/2	3-13/16	2-7/8	3/8	3	.078	7/8	5/16x1	3/8x4	3
66	12	8-1/2	1-1/8	6-1/2	3-1/8	2-1/2	4-1/2	3-7/8	3/8	3	.078	7/8	5/16x1	3/8x4	4
143*	10-1/2	7-1/2	1-1/8	5-1/2	2-3/4	2	3-3/4	3-3/8	3/8	3	.119	13/16	5/16x1	3/8x4	5
145*	10-1/2	8-1/2	1-1/8	6-1/2	2-3/4	2-1/2	3-3/4	3-7/8	3/8	3	.119	13/16	5/16x1	3/8x4	6
182*	12-3/4	9-1/2	1-1/2	6-1/2	3-3/4	2-1/4	4-1/2	4-1/4	1/2	3	.134	1-1/2	3/8x1-3/4	1/2x6	9
184*	12-3/4	10-1/2	1-1/2	7-1/2	3-3/4	2-3/4	4-1/2	4-3/4	1/2	3	.134	1-1/2	3/8x1-3/4	1/2x6	9-1/2
213*	15	11	1-3/4	7-1/2	4-1/4	2-3/4	5-1/4	4-3/4	1/2	3-1/2	.164	1-1/2	3/8x1-3/4	1/2x6	13-1/2
215*	15	12-1/2	1-3/4	9	4-1/4	3-1/2	5-1/4	5-1/2	1/2	3-1/2	.164	1-1/2	3/8x1-3/4	1/2x6	15-1/2

Bases Noted (*) Also Available
 In Standard Stock Double
 Adjusting Style A2

Adjusting Bolts on Style A2 Bases are in line with D Bolts on F Dimension

NON STOCK BASES

FRAME & PART NO.	AL	AM	AX	BB	E	F	AO	AR	AU	BT	AT	XC	D BOLT	AY BOLT	APPROX. WT. (LBS)
48	10	6-1/4	1-1/8	4-1/4	2-1/8	1-3/8	3-1/2	2-3/4	3/8	3	.078	7/8	5/16x1	3/8x4	2-1/2
186	12-3/4	12	1-1/2	9	3-3/4	3-1/2	4-1/2	5-1/2	1/2	3	.134	1-1/4	3/8x1-1/2	1/2x5	11
187	12-3/4	13	1-1/2	10	3-3/4	4	4-1/2	6	1/2	3	.134	1-1/4	3/8x1-1/2	1/2x6	12
188	12-3/4	14	1-1/2	11	3-3/4	4-1/2	4-1/2	6-1/2	1/2	3	.134	1-1/4	3/8x1-1/2	1/2x6	13
189	12-3/4	15	1-1/2	12	3-3/4	5	4-1/2	7	1/2	3	.134	1-1/4	3/8x1-1/2	1/2x6	14
216	15	13-1/2	1-3/4	10	4-1/4	4	5-1/4	6	1/2	3-1/2	.164	1-1/4	3/8x1-1/2	1/2x6	17
217	15	14-1/2	1-3/4	11	4-1/4	4-1/2	5-1/4	6-1/2	1/2	3-1/2	.164	1-1/4	3/8x1-1/2	1/2x6	18
218	15	15-1/2	1-3/4	12	4-1/4	5	5-1/4	7	1/2	3-1/2	.164	1-1/4	3/8x1-1/2	1/2x6	19
219	15	16-1/2	1-3/4	13	4-1/4	5-1/2	5-1/4	7-1/2	1/2	3-1/2	.164	1-1/4	3/8x1-1/2	1/2x6	20

Above Bases May be Used for AC Or DC Frames

Covered by Patent No. 2765997

DIMENSIONS ARE IN INCHES: Bases are furnished with one coat of corrosion-resistant gray primer and zinc plated nuts and bolts.

Bases listed may also be used if the motor frame is succeeded by S, T, U, US or any letter combination as long as the motor complies with N.E.M.A.

The liability of the Overly-Hautz Company to the purchaser is limited to replacement of defective materials supplied. One year from the date of our shipment all liability shall terminate. There are no warranties which extend beyond the description on the face hereof.

DIMENSION SHEET MB-200-A

1-1-03

CERTIFIED FOR: _____

FRAME _____ BY _____ DATE _____

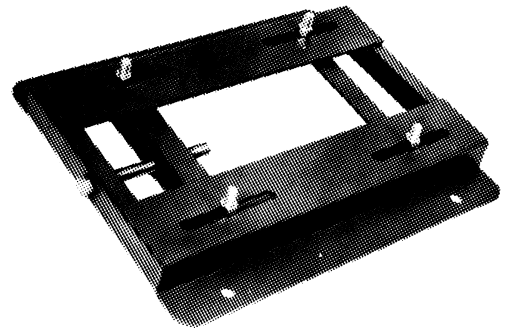
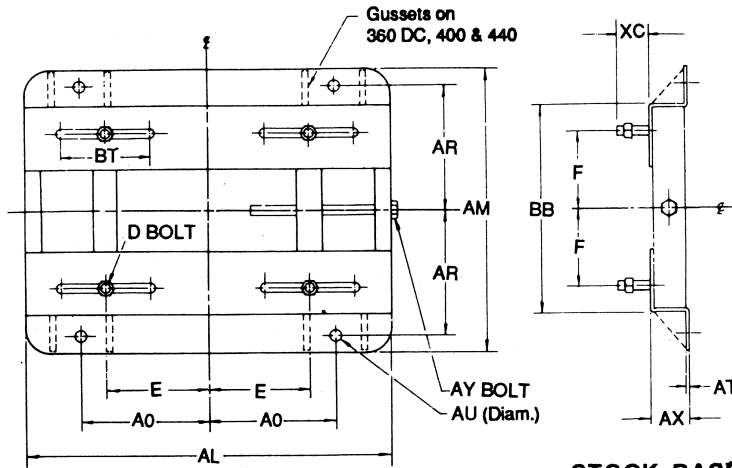


OVERLY HAUTZ COMPANY

PO BOX 837 215 SOUTH WEST STREET LEBANON, OHIO 45036-0873
 PHONE 513.932.0025 FAX 513.932.1688 WWW.OVERLYHAUTZ.COM

NEMA

STEEL ADJUSTABLE MOTOR BASES



STOCK BASES

STYLE B

FRAME & PART NO.	AL	AM	AX	BB	E	F	A0	AR	AU	BT	AT	XC	D BOLT	AY BOLT	APPROX. WT. (LBS)
254	17-3/4	15-1/8	2	10-3/4	5	4-1/8	6-1/4	6-5/8	5/8	4	3/16	1-7/16	1/2x1 3/4	5/8x6-1/2	17-1/2
256	17-3/4	16-7/8	2	12-1/2	5	5	6-1/4	7-1/2	5/8	4	3/16	1-7/16	1/2x1 3/4	5/8x6-1/2	18-1/2
284	19-3/4	16-7/8	2	12-1/2	5-1/2	4-3/4	7	7-1/2	5/8	4-1/2	3/16	1-11/16	1/2x2	5/8x6-1/2	21
286	19-3/4	18-3/8	2	14	5-1/2	5 1/2	7	8-1/4	5/8	4-1/2	3/16	1-11/16	1/2x2	5/8x6-1/2	22
324	22-3/4	19-1/4	2-1/2	14	6-1/4	5 1/4	8	8-1/2	3/4	5-1/4	3/16	2-3/16	5/8x2 1/2	3/4x9	31
326	22-3/4	20-3/4	2-1/2	15-1/2	6-1/4	6	8	9-1/4	3/4	5-1/4	3/16	2-3/16	5/8x2 1/2	3/4x9	32
364	25-1/2	20-1/2	2-1/2	15-1/2	7	5-5/8	9	9-1/8	3/4	6	1/4	2-1/16	5/8x2 1/2	3/4x9	44
365	25-1/2	21-1/2	2-1/2	16-1/2	7	6-1/8	9	9-5/8	3/4	6	1/4	2-1/16	5/8x2 1/2	3/4x9	45
404	28-3/4	22-3/8	3	16-1/2	8	6-1/8	10	9-7/8	7/8	7	1/4	2 1/2	3/4x3	3/4x11	60
405	28-3/4	23-7/8	3	18	8	6-7/8	10	10-5/8	7/8	7	1/4	2 1/2	3/4x3	3/4x11	61
444	31-1/4	24-5/8	3	19-1/4	9	7-1/4	11	11	7/8	7-1/2	5/16	2 1/2	3/4x3	3/4x11	83
445	31-1/4	26-5/8	3	21-1/4	9	8-1/4	11	12	7/8	7-1/2	5/16	2 1/2	3/4x3	3/4x11	85

NON STOCK BASES

FRAME & PART NO.	AL	AM	AX	BB	E	F	A0	AR	AU	BT	AT	XC	D BOLT	AY BOLT	APPROX. WT. (LBS)
203	14	11	1-3/4	7-1/2	4	2-3/4	5	4-3/4	1/2	3	3/16	1-7/16	3/8x1-3/4	1/2x5	11-1/2
204	14	12	1-3/4	8-1/2	4	3-1/4	5	5-1/4	1/2	3	3/16	1-7/16	3/8x1-3/4	1/2x5	12
224	15-1/2	12 1/4	1-3/4	8-3/4	4-1/2	3-3/8	5-1/2	5-3/8	1/2	3-1/2	3/16	1-7/16	3/8x1-3/4	1/2x5	13
225	15-1/2	13	1-3/4	9-1/2	4-1/2	3-3/4	5-1/2	5-3/4	1/2	3-1/2	3/16	1-7/16	3/8x1-3/4	1/2x5	14
257	17-3/4	17-7/8	2	13-1/2	5	5-1/2	6-1/4	8	5/8	4	3/16	1-7/16	1/2x1-3/4	5/8x6-1/2	19
258	17-3/4	19-3/8	2	15	5	6-1/4	6-1/4	8-3/4	5/8	4	3/16	1-7/16	1/2x1-3/4	5/8x6-1/2	20
287	19-3/4	19-7/8	2	15-1/2	5-1/2	6-1/4	7	9	5/8	4-1/2	3/16	1-11/16	1/2x2	5/8x6-1/2	23
288	19-3/4	21-3/8	2	17	5-1/2	7	7	9 3/4	5/8	4-1/2	3/16	1-11/16	1/2x2	5/8x6-1/2	24
364DC	25-1/2	20-1/2	2-1/2	15-1/2	7	5-5/8	9	9-1/8	7/8	6	1/4	2-1/2	3/4x3	3/4x9	44
365DC	25-1/2	21-1/2	2-1/2	16-1/2	7	6-1/8	9	9-5/8	7/8	6	1/4	2-1/2	3/4x3	3/4x9	45
366DC	25-1/2	23-1/4	2-1/2	18-1/4	7	7	9	10-1/2	7/8	6	1/4	2-1/2	3/4x3	3/4x9	50
367DC	25-1/2	25-1/4	2-1/2	20-1/4	7	8	9	11-1/2	7/8	6	1/4	2-1/2	3/4x3	3/4x9	53
404DC	28-3/4	22-3/8	3	16-1/2	8	6-1/8	10	9-7/8	1	7	1/4	3	7/8x3-1/2	3/4x11	60
405DC	28-3/4	23-7/8	3	18	8	6-7/8	10	10-5/8	1	7	1/4	3	7/8x3-1/2	3/4x11	61
406DC	28-3/4	26-1/8	3	20-1/4	8	8	10	11-3/4	1	7	1/4	3	7/8x3-1/2	3/4x11	62
407DC	28-3/4	28-1/8	3	22-1/4	8	9	10	12-3/4	1	7	1/4	3	7/8x3-1/2	3/4x11	64
408DC	28-3/4	30-1/8	3	24-1/4	8	10	10	13-3/4	1	7	1/4	3	7/8x3-1/2	3/4x11	66

AC & DC Bases Are Identical For Frames 254 Thru 326

DIMENSIONS ARE IN INCHES: Bases are furnished with one coat of corrosion-resistant gray primer and zinc plated nuts and bolts.

Bases listed may also be used if the motor frame is succeeded by S, T, U, US or any letter combination as long as the motor complies with N.E.M.A.

The liability of the Overly-Hautz Company to the purchaser is limited to replacement of defective materials supplied. One year from the date of our shipment all liability shall terminate. There are no warranties which extend beyond the description on the face hereof.

DIMENSION SHEET MB-200-B

CERTIFIED FOR: _____

FRAME _____ BY _____ DATE _____



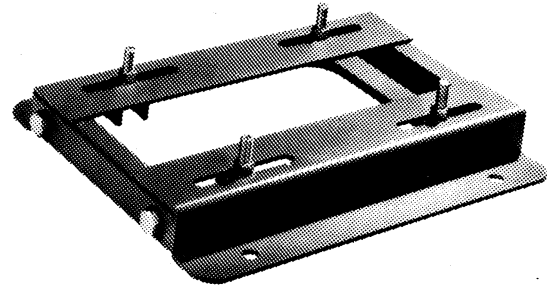
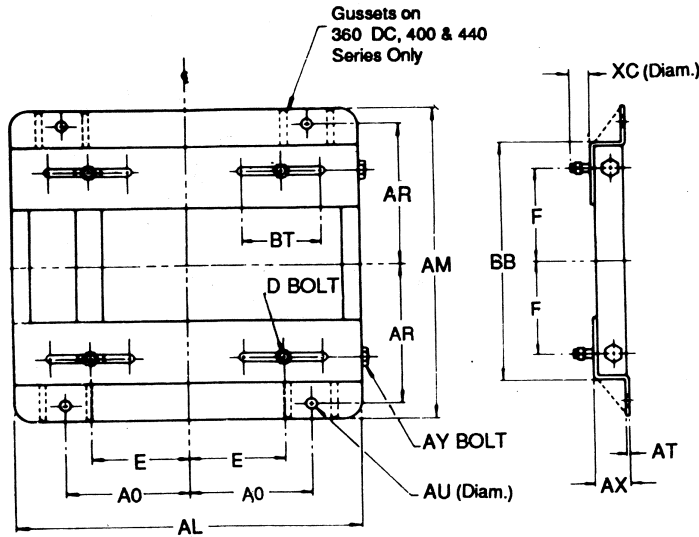
OVERLY HAULTZ COMPANY

PO BOX 837 215 SOUTH WEST STREET LEBANON, OHIO 45036-0873
 PHONE 513.932.0025 FAX 513.932.1688 WWW.OVERLYHAULTZ.COM

NEMA

STEEL ADJUSTABLE MOTOR BASES

DOUBLE ADJUSTING BOLT



STYLE B2

STOCK BASES

FRAME & PART NO.	AL	AM	AX	BB	E	F	A0	AR	AU	BT	AT	XC	D BOLT	AY BOLT	APPROX. WT. (LBS)
254B2	17-3/4	15-1/8	2	10-3/4	5	4-1/8	6-1/4	6-5/8	5/8	4	3/16	1-3/8	1/2x1-3/4	5/8x9	17
256B2	17-3/4	16-7/8	2	12-1/2	5	5	6-1/4	7-1/2	5/8	4	3/16	1-3/8	1/2x1-3/4	5/8x9	18
284B2	19-3/4	16-7/8	2	12-1/2	5-1/2	4-3/4	7	7-1/2	5/8	4-1/2	3/16	1-5/8	1/2x2	5/8x9	21
286B2	19-3/4	18-3/8	2	14	5-1/2	5-1/2	7	8-1/4	5/8	4-1/2	3/16	1-5/8	1/2x2	5/8x9	22
*324B2	22-3/4	19-1/4	2-1/2	14	6-1/4	5-1/4	8	8-1/2	3/4	5-1/4	3/16	2-1/8	5/8x2-1/2	3/4x9	30
*326B2	22-3/4	20-3/4	2-1/2	15-1/2	6-1/4	6	8	9-1/4	3/4	5-1/4	3/16	2-1/8	5/8x2-1/2	3/4x9	31
*364B2	25-1/2	20-1/2	2-1/2	15-1/2	7	5-5/8	9	9-1/8	3/4	6	1/4	2	5/8x2-1/2	3/4x11	45
*365B2	25-1/2	21-1/2	2-1/2	16-1/2	7	6-1/8	9	9-5/8	3/4	6	1/4	2	5/8x2-1/2	3/4x11	46
404B2	28-3/4	22-3/8	3	16-1/2	8	6-1/8	10	9-7/8	7/8	7	1/4	2-9/16	3/4x3	3/4x14	55
405B2	28-3/4	23-7/8	3	18	8	6-7/8	10	10-5/8	7/8	7	1/4	2-9/16	3/4x3	3/4x14	56
444B2	31-1/4	24-5/8	3	19-1/4	9	7-1/4	11	11	7/8	7-1/2	5/16	2-1/2	3/4x3	3/4x14	74
445B2	31-1/4	26-5/8	3	21-1/4	9	8-1/4	11	12	7/8	7-1/2	5/16	2-1/2	3/4x3	3/4x14	75
447B2	31-1/4	30-1/8	3	24-3/4	9	10	11	13-3/4	7/8	7-1/2	5/16	2-1/2	3/4x3	3/4x14	89
449B2	31-1/4	35-1/8	3	29-3/4	9	12-1/2	11	16-1/4	7/8	7-1/2	5/16	2-1/2	3/4x3	3/4x14	95

Bases noted (*) also available with gussets for additional strength; add the letter "G" after the part number. Example: 326-B2-G

NON STOCK BASES

FRAME & PART NO.	AL	AM	AX	BB	E	F	A0	AR	AU	BT	AT	XC	D BOLT	AY BOLT	APPROX. WT. (LBS)
364DCB2	25-1/2	20-1/2	2-1/2	15-1/2	7	5-5/8	9	9-1/8	7/8	6	1/4	2-9/16	3/4x3	3/4x11	47
365DCB2	25-1/2	21-1/2	2-1/2	16-1/2	7	6-1/8	9	9-5/8	7/8	6	1/4	2-9/16	3/4x3	3/4x11	48
366DCB2	25-1/2	23-1/4	2-1/2	18-1/4	7	7	9	10-1/2	7/8	6	1/4	2-9/16	3/4x3	3/4x11	49
404DCB2	28-3/4	22-3/8	3	16-1/2	8	6-1/8	10	9-7/8	1	7	1/4	3-1/16	7/8x3-1/2	3/4x14	56
405DCB2	28-3/4	23-7/8	3	18	8	6-7/8	10	10-5/8	1	7	1/4	3-1/16	7/8x3-1/2	3/4x14	57

AC & DC Bases Are Identical For Frames 254 Thru 326

DIMENSIONS ARE IN INCHES: Bases are furnished with one coat of corrosion-resistant gray primer and zinc plated nuts and bolts.

Bases listed may also be used if the motor frame is succeeded by S, T, TS, U, US or any letter combination as long as the motor complies with N.E.M.A.

The liability of the Overly-Haultz Company to the purchaser is limited to replacement of defective materials supplied. One year from the date of our shipment all liability shall terminate. There are no warranties which extend beyond the description on the face hereof.

DIMENSION SHEET
MB-200-B2

CERTIFIED FOR: _____

FRAME _____ BY _____ DATE _____



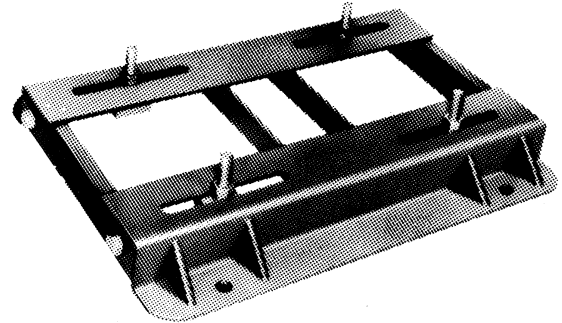
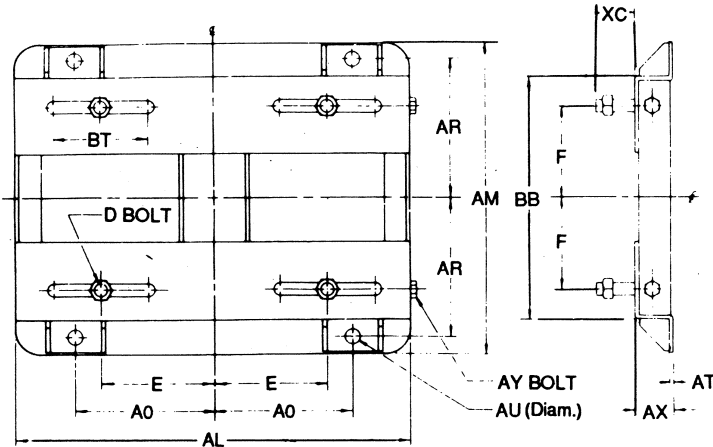
OVERLY HAUTZ COMPANY

PO BOX 837 215 SOUTH WEST STREET LEBANON, OHIO 45036-0873
 PHONE 513.932.0025 FAX 513.932.1688 WWW.OVERLYHAUTZ.COM

NEMA

STEEL ADJUSTABLE

MOTOR BASES



STYLE C

STOCK BASES

FRAME & PART NO.	AL	AM	AX	BB	E	F	A0	AR	AU	BT	AT	XC	D BOLT	AY BOLT	APPROX. WT. (LBS)
504	35	28	3-1/2	20-3/4	10	8	12-1/2	12-1/2	1	8	5/16	3	7/8x3-1/2	7/8x16	132
505	35	30	3-1/2	22-3/4	10	9	12-1/2	13-1/2	1	8	5/16	3	7/8x3-1/2	7/8x16	135

NON STOCK BASES

FRAME & PART NO.	AL	AM	AX	BB	E	F	A0	AR	AU	BT	AT	XC	D BOLT	AY BOLT	APPROX. WT. (LBS)
444DC	31-1/4	24-5/8	3	19-1/4	9	7-1/4	11	11	1-1/8	7-1/2	5/16	3	1x3-1/2	3/4x14	83
445DC	31-1/4	26-5/8	3	21-1/4	9	8-1/4	11	12	1-1/8	7-1/2	5/16	3	1x3-1/2	3/4x14	85
446DC	31-1/4	28-1/8	3	22-3/4	9	9	11	12-3/4	1-1/8	7-1/2	5/16	3	1x3-1/2	3/4x14	87
447DC	31-1/4	30-1/8	3	24-3/4	9	10	11	13-3/4	1-1/8	7-1/2	5/16	3	1x3-1/2	3/4x14	89
503	35	26	3-1/2	18-3/4	10	7	12-1/2	11-1/2	1	8	5/16	3	7/8x3-1/2	7/8x16	130
504DC	35	28	3-1/2	20-3/4	10	8	12-1/2	12-1/2	1-1/4	8	5/16	3	1-1/8x3-1/2	7/8x16	132
505DC	35	30	3-1/2	22-3/4	10	9	12-1/2	13-1/2	1-1/4	8	5/16	3	1-1/8x3-1/2	7/8x16	135
506	35	32	3-1/2	24-3/4	10	10	12-1/2	14-1/2	1	8	5/16	3	7/8x3-1/2	7/8x16	138
506DC	35	32	3-1/2	24-3/4	10	10	12-1/2	14-1/2	1-1/4	8	5/16	3	1-1/8x3-1/2	7/8x16	138
507	35	34	3-1/2	26-3/4	10	11	12-1/2	15-1/2	1	8	5/16	3	7/8x3-1/2	7/8x16	141
507DC	35	34	3-1/2	26-3/4	10	11	12-1/2	15-1/2	1-1/4	8	5/16	3	1-1/8x3-1/2	7/8x16	141
508	35	37	3-1/2	29-3/4	10	12-1/2	12-1/2	17	1	8	5/16	3	7/8x3-1/2	7/8x16	145
583	38-3/4	29	4	20-3/4	11-1/2	8	14-1/2	13	1	8-1/2	3/8	2-15/16	7/8x3-1/2	7/8x16	178
583DC	38-3/4	29	4	20-3/4	11-1/2	8	14-1/2	13	1-1/4	8-1/2	3/8	2-15/16	1-1/8x3-1/2	7/8x16	178
584	38-3/4	31	4	22-3/4	11-1/2	9	14-1/2	14	1	8-1/2	3/8	2-15/16	7/8x3-1/2	7/8x16	182
584DC	38-3/4	31	4	22-3/4	11-1/2	9	14-1/2	14	1-1/4	8-1/2	3/8	2-15/16	1-1/8x3-1/2	7/8x16	182
585	38-3/4	33	4	24-3/4	11-1/2	10	14-1/2	15	1	8-1/2	3/8	2-15/16	7/8x3-1/2	7/8x16	185
585DC	38-3/4	33	4	24-3/4	11-1/2	10	14-1/2	15	1-1/4	8-1/2	3/8	2-15/16	1-1/8x3-1/2	7/8x16	185
682	42-1/2	28-3/4	4-1/4	23	13-1/2	9	13-1/2	13	1-1/8	9	3/8	3-7/16	1x4	7/8x16	184
682DC	42-1/2	28-3/4	4-1/4	23	13-1/2	9	13-1/2	13	1-3/8	9	3/8	3-7/16	1-1/8x4	7/8x16	184
683	42-1/2	30-3/4	4-1/4	25	13-1/2	10	13-1/2	14	1-1/8	9	3/8	3-7/16	1x4	7/8x16	188
683DC	42-1/2	30-3/4	4-1/4	25	13-1/2	10	13-1/2	14	1-3/8	9	3/8	3-7/16	1-1/8x4	7/8x16	188
684	42-1/2	32-3/4	4-1/4	27	13-1/2	11	13-1/2	15	1-1/8	9	3/8	3-7/16	1x4	7/8x16	192
684DC	42-1/2	32-3/4	4-1/4	27	13-1/2	11	13-1/2	15	1-3/8	9	3/8	3-7/16	1-1/8x4	7/8x16	192
685	42-1/2	35-3/4	4-1/4	30	13-1/2	12-1/2	13-1/2	16-1/2	1-1/8	9	3/8	3-7/16	1x4	7/8x16	195
685DC	42-1/2	35-3/4	4-1/4	30	13-1/2	12-1/2	13-1/2	16-1/2	1-3/8	9	3/8	3-7/16	1-1/8x4	7/8x16	195

DIMENSIONS ARE IN INCHES: Bases are furnished with one coat of corrosion-resistant gray primer and zinc plated nuts and bolts.

Bases listed may also be used if the motor frame is succeeded by S, T, U, US or any letter combination as long as the motor complies with N.E.M.A.

The liability of the Overly-Hautz Company to the purchaser is limited to replacement of defective materials supplied. One year from the date of our shipment all liability shall terminate. There are no warranties which extend beyond the description on the face hereof.

DIMENSION SHEET MB-200-C

CERTIFIED FOR: _____

FRAME _____ BY _____ DATE _____

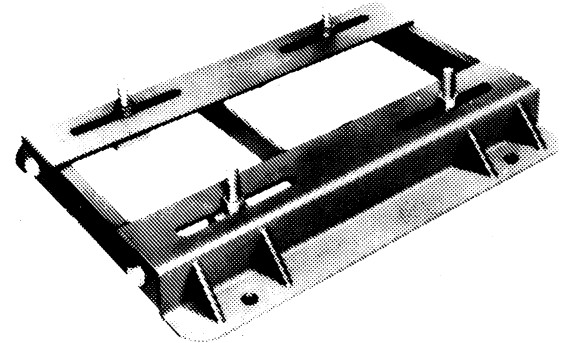
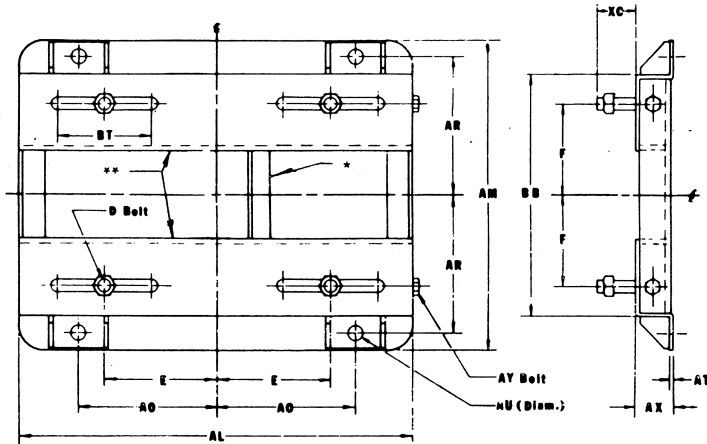


OVERLY HAUTZ COMPANY

PO BOX 837 215 SOUTH WEST STREET LEBANON, OHIO 45036-0873
 PHONE 513.932.0025 FAX 513.932.1688 WWW.OVERLYHAUTZ.COM

NEMA

STEEL ADJUSTABLE Heavy Duty MOTOR BASES



STYLE C2HD

- * Cross piece on 250, 280, 320, 360 style C2HD bases only.
- ** Turn-down flanges on 400, 440, style C2HD bases only.

STOCK BASES

FRAME & PART NO.	AL	AM	AX	BB	E	F	AO	AR	AU	BT	AT	XC	D BOLT	AY BOLT	APPROX WT. (LBS)
254C2HD	17-3/4	15-1/8	2	11	5	4-1/8	6-1/4	6-5/8	5/8	4	5/16	1-1/4	1/2x1-3/4	5/8x9	32
256C2HD	17-3/4	16-7/8	2	12-3/4	5	5	6-1/4	7-1/2	5/8	4	5/16	1-1/4	1/2x1-3/4	5/8x9	33
284C2HD	19-3/4	16-7/8	2	12-3/4	5-1/2	4-3/4	7	7-1/2	5/8	4-1/2	5/16	1-1/2	1/2x2	5/8x9	35
286C2HD	19-3/4	18-3/8	2	14-1/4	5-1/2	5-1/2	7	8-1/4	5/8	4-1/2	5/16	1-1/2	1/2x2	5/8x9	35
324C2HD	22-3/4	19-1/4	2-1/2	14-3/8	6-1/4	5-1/4	8	8-1/2	3/4	5-1/4	3/8	1-15/16	5/8x2-1/2	3/4x11	59
326C2HD	22-3/4	20-3/4	2-1/2	15-7/8	6-1/4	6	8	9-1/4	3/4	5-1/4	3/8	1-15/16	5/8x2-1/2	3/4x11	60
364C2HD	25-1/2	20-1/2	2-1/2	15-3/4	7	5-5/8	9	9-1/8	3/4	6	3/8	1-15/16	5/8x2-1/2	3/4x11	67
365C2HD	25-1/2	21-1/2	2-1/2	16-3/4	7	6-1/8	9	9-5/8	3/4	6	3/8	1-15/16	5/8x2-1/2	3/4x11	68
404C2HD	28-3/4	22-3/8	3	17-1/8	8	6-1/8	10	9-7/8	7/8	7	3/8	2-7/16	3/4x3	3/4x14	94
405C2HD	28-3/4	23-7/8	3	18-5/8	8	6-7/8	10	10-5/8	7/8	7	3/8	2-7/16	3/4x3	3/4x14	99
444C2HD	31-1/4	24-5/8	3	19-3/8	9	7-1/4	11	11	7/8	7-1/2	3/8	2-7/16	3/4x3	3/4x14	103
445C2HD	31-1/4	26-5/8	3	21-3/8	9	8-1/4	11	12	7/8	7-1/2	3/8	2-7/16	3/4x3	3/4x14	105
447C2HD	31-1/4	30-1/8	3	24-7/8	9	10	11	13-3/4	7/8	7-1/2	3/8	2-7/16	3/4x3	3/4x14	110
449C2HD	31-1/4	35-1/8	3	29-7/8	9	12-1/2	11	16-1/4	7/8	7-1/2	3/8	2-7/16	3/4x3	3/4x14	115

DIMENSIONS ARE IN INCHES: Bases are furnished with one coat of corrosion-resistant gray primer and zinc plated nuts and bolts.

Bases listed may also be used if the motor frame is succeeded by S, T, U, US or any letter combination as long as the motor complies with N.E.M.A.

The liability of the Overly-Hautz Company to the purchaser is limited to replacement of defective materials supplied. One year from the date of our shipment all liability shall terminate. There are no warranties which extend beyond the description on the face hereof.

CERTIFIED FOR: _____

FRAME _____ BY _____ DATE _____



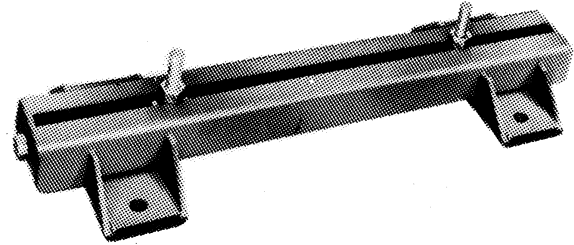
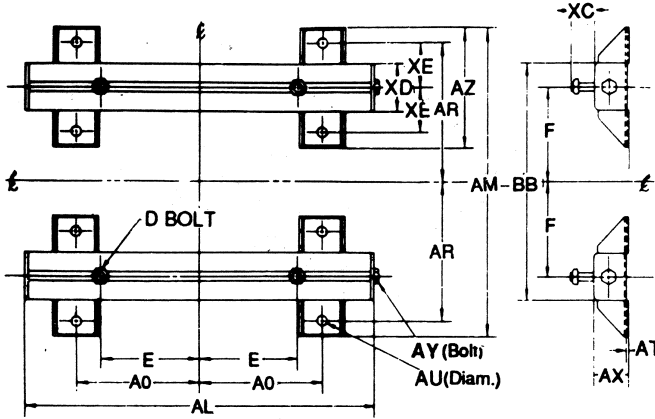
OVERLY HAUTZ COMPANY

PO BOX 837 215 SOUTH WEST STREET LEBANON, OHIO 45036-0873
 PHONE 513.932.0025 FAX 513.932.1688 WWW.OVERLYHAUTZ.COM

NEMA

ADJUSTABLE STEEL

MOTOR RAILS



STYLE 1

STOCK RAILS

FRAME	O-H PART NUMBER	AL	AX	E	F** (MIN)	AO	AU	AT	AZ	XC	XD	XE	D BOLT	AY BOLT	TRAV.	APPROX. WT.*
440AC	A186	31-1/4	3	9	442	11	7/8	5/16	10-1/8	2-1/2	4-3/4	3-3/4	3/4x3	3/4x14	7-1/2	96
500AC	A187	35	3-1/2	10	502	12-1/2	1	5/16	12	3	4-3/4	4-1/2	7/8x3-1/2	7/8x16	8	115
580AC	A221	38-3/4	4	11-1/2	583	14-1/2	1	3/8	13	2-15/16	4-3/4	5	7/8x3-1/2	7/8x16	8-1/2	130
680AC	A222	42-1/2	4-1/4	13-1/2	680	13-1/2	1-1/8	3/8	10-3/4	3-7/16	5	4	1X4	7/8x16	9	146

** Smallest Motor Frame Size which rails will accommodate.

*LBS. PER PAIR

NON STOCK RAILS

FRAME	O-H PART NUMBER	AL	AX	E	F** (MIN)	AO	AU	AT	AZ	XC	XD	XE	D BOLT	AY BOLT	TRAV.	APPROX. WT.*
440DC	A186DC	31-1/4	3	9	442	11	1-1/8	5/16	10-1/8	2-1/2	4-3/4	3-3/4	1x3-1/2	3/4x14	7-1/2	96
500DC	A187DC	35	3-1/2	10	502	12-1/2	1-1/4	5/16	12	3	4-3/4	4-1/2	1-1/8x3-1/2	7/8x16	8	115
580DC	A221DC	38-3/4	4	11-1/2	583	14-1/2	1-1/4	3/8	13	2-15/16	4-3/4	5	1-1/8x3-1/2	7/8x16	8-1/2	130
680DC	A222DC	42-1/2	4-1/4	13-1/2	680	13-1/2	1-3/8	3/8	10-3/4	3-7/16	5	4	1-1/8x4	7/8x16	9	146

** Smallest Motor Frame Size which rails will accommodate.

*LBS. PER PAIR

DIMENSIONS ARE IN INCHES: Rails are furnished with one coat of corrosion-resistant gray primer and zinc plated nuts and bolts.

Furnished in pairs unless otherwise specified.

The liability of the Overly-Hautz Company to the purchaser is limited to replacement of defective materials supplied. One year from the date of our shipment all liability shall terminate. There are no warranties which extend beyond the description on the face hereof.

DIMENSION SHEET MR-200-3

CERTIFIED FOR: _____

FRAME _____ BY _____ DATE _____



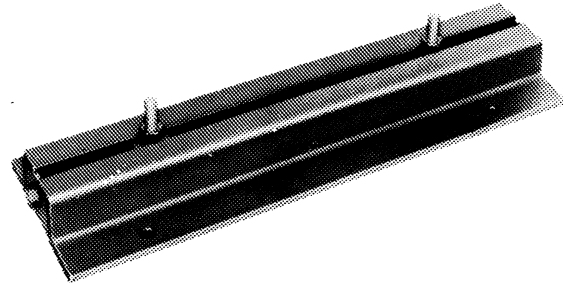
OVERLY HAULTZ COMPANY

PO BOX 837 215 SOUTH WEST STREET LEBANON, OHIO 45036-0873
 PHONE 513.932.0025 FAX 513.932.1688 WWW.OVERLYHAULTZ.COM

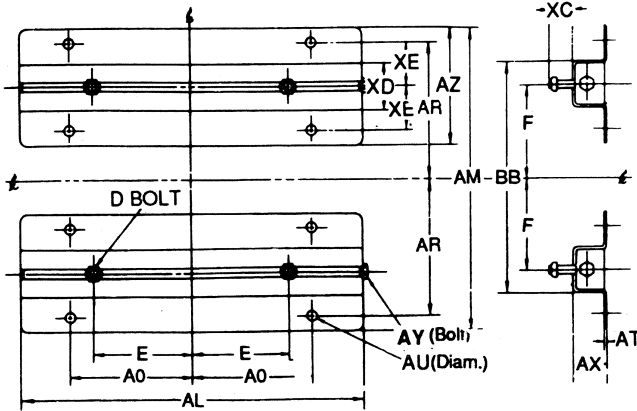
NEMA

ADJUSTABLE STEEL

MOTOR RAILS



STYLE (2)



STOCK RAILS

FRAME	O-H PART NUMBER	AL	AX	E	F** (MIN)	AO	AU	AT	AZ	XC	XD	XE	D BOLT	AY BOLT	TRAV.	APPROX. WT.*
440AC	A271	31-1/4	3	9	442	11	7/8	5/16	10-1/8	2-1/2	4-3/4	3-3/4	3/4x3	3/4x14	7-1/2	95
500AC	A257	35	3-1/2	10	502	12-1/2	1	5/16	12	3	5-3/4	4-1/2	7/8x3-1/2	7/8x16	8	130
580AC	A258	38-3/4	4	11-1/2	583	14-1/2	1	3/8	13	2-15/16	6-3/4	5	7/8x3-1/2	7/8x16	8-1/2	185
680AC	A259	42-1/2	4-1/4	13-1/2	680	13-1/2	1-1/8	3/8	10-3/4	3-7/16	5-3/4	4	1X4	7/8x16	9	180

** Smallest Motor Frame Size which rails will accommodate.

* LBS. PER PAIR

NON STOCK RAILS

FRAME	O-H PART NUMBER	AL	AX	E	F** (MIN)	AO	AU	AT	AZ	XC	XD	XE	D BOLT	AY BOLT	TRAV.	APPROX. WT.*
440DC	A271DC	31-1/4	3	9	442	11	1-1/8	5/16	10-1/8	2-1/2	4-3/4	3-3/4	1x3-1/2	3/4x14	7-1/2	95
500DC	A257DC	35	3-1/2	10	502	12-1/2	1-1/4	5/16	12	3	5-3/4	4-1/2	1-1/8x3-1/2	7/8x16	8	130
580DC	A258DC	38-3/4	4	11-1/2	583	14-1/2	1-1/4	3/8	13	2-15/16	6-3/4	5	1-1/8x3-1/2	7/8x16	8-1/2	185
680DC	A259DC	42-1/2	4-1/4	13-1/2	680	13-1/2	1-3/8	3/8	10-3/4	3-7/16	5-3/4	4	1-1/8x4	7/8x16	9	180

** Smallest Motor Frame Size which rails will accommodate.

* LBS. PER PAIR

DIMENSIONS ARE IN INCHES: Rails are furnished with one coat of corrosion-resistant gray primer and zinc plated nuts and bolts.

Furnished in pairs unless otherwise specified.

The liability of the Overly-Haultz Company to the purchaser is limited to replacement of defective materials supplied. One year from the date of our shipment all liability shall terminate. There are no warranties which extend beyond the description on the face hereof.

DIMENSION SHEET MR-200-2

CERTIFIED FOR: _____

FRAME _____ BY _____ DATE _____



OVERLY HAUTZ COMPANY

PO BOX 837 215 SOUTH WEST STREET LEBANON, OHIO 45036-0873
 PHONE 513.932.0025 FAX 513.932.1688 WWW.OVERLYHAUTZ.COM

DATA SHEET AD-5 ADAPT-O-MOUNT

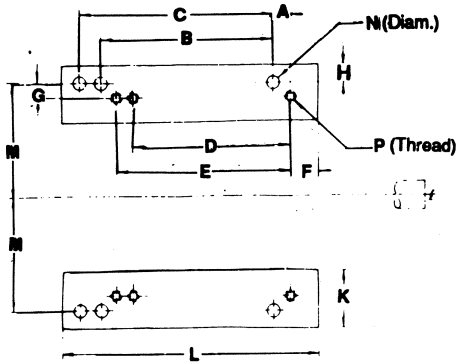


figure 1

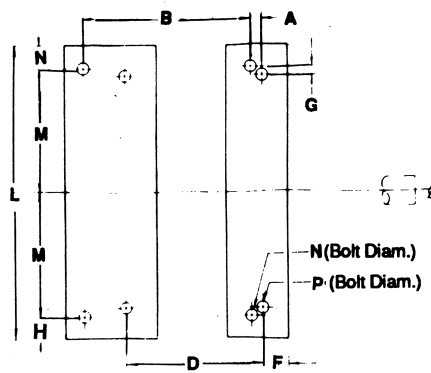
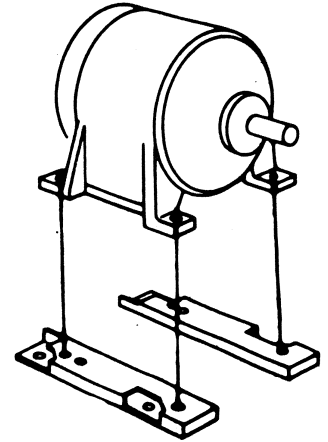


figure 2



Former NEMA	New NEMA	Overly-Hautz part number	O.A. height	A	B	C	D	E	F	G	H	K	L	M	N	P
66	56	66-56	5/8	3/4	5		3		3/4	1/2	1/2	2	7	2-15/16	11/32	5/16-18
203	182	2018	1/2	3/8	5-1/2		4-1/2		13/16	1/4	3/4		9-1/2	4	3/8	3/8
204	184				6-1/2		5-1/2									
224	182	2218	1	1-1/2	6-3/4		4-1/2									
224	184				6-3/4			5-1/2	3/4	3/4	1/2	2-3/8	10-1/4	4-1/2	13/32	3/8-16
225	182					7-1/2	4-1/2									
225	184					7-1/2		5-1/2								
224	213	*2221A	1/4	0	6-3/4		5-1/2									
225	213					7-1/2	5-1/2		1	0	1	2	9-1/2	4-1/2	13/32	3/8-16
224	213	2221B	1/4	0	6-3/4		5-1/2									
225	213				7-1/2		5-1/2		1-1/4	1/4	1		11	4-1/2	3/8	3/8
254	213	25U21T	1	1-1/8	8-1/4		5-1/2									
254	215				8-1/4			7	1	3/4	3/4	2-1/2	13	5	9/16	3/8-16
284	254U	284254U	3/4	1/2	9-1/2		8-1/4		1	1/2	1-1/8	3	12	5-1/2	9/16	1/2-13
324	254U	3225U	1-3/4	2-1/8	10-1/2		8-1/4									
324	256U				10-1/2			10								
326	254U					12	8-1/4		1	1-1/4	7/8	3-1/2	16	6-1/4	11/16	1/2-13
326	256U					12		10								
364	284U	3628U	2	1-7/8	11-1/4		9-1/2									
364	286U				11-1/4			11								
365	284U					12-1/4	9-1/2		1	1-1/2	13/16	3-3/4	16	7	11/16	1/2-13
365	286U					12-1/4		11								
364	324U	36US324TS		5/8	11-1/4		10-1/2		1-7/8	3/4	3/4	3-1/2	15-3/4	7	11/16	5/8-11
364S	324S	36US324TS		5/8	11-1/4		10-1/2		1-7/8	3/4	3/4	3-1/2	15-3/4	7	11/16	5/8-11
365	324U	36US324TS		5/8		12-1/4	10-1/2		1-7/8	3/4	3/4	3-1/2	15-3/4	7	11/16	5/8-11
365S	324S															
365	326U	365US326TS		5/8		12-1/4		12	1-7/8	3/4	3/4	3-1/2	15-3/4	7	11/16	5/8-11
365S	326S															

Information for conversions not listed available on request.

DIMENSIONS ARE IN INCHES CORRESPONDING TO LETTERS IN ABOVE DRAWING.

- * Use for adjustable mounting application. See FIGURE #1.
 - ** Use for stationary mounting application. See FIGURE #2.
- All units will accommodate an adjustable or stationary application with the exception of parts #2018 & #2221-B which are for stationary applications only. All units, packed in cartons, are furnished with one coat of gray primer & all necessary nuts & bolts for making transitions.

Certification for: _____

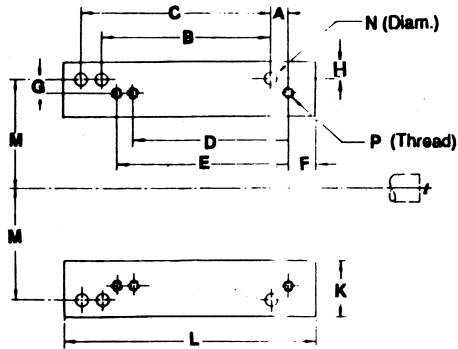
PT. No.: _____ Date: _____ By: _____



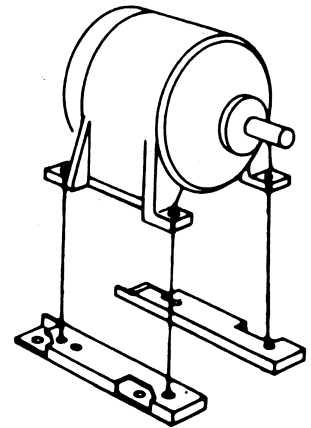
OVERLY HAUTZ COMPANY
 PO BOX 837 215 SOUTH WEST STREET LEBANON, OHIO 45036-0873
 PHONE 513.932.0025 FAX 513.932.1688 WWW.OVERLYHAUTZ.COM

DATA SHEET AD-6

ADAPT-O-MOUNT



adapting to the
NEMA
 T SERIES
 motors



Former NEMA	New NEMA	Overly-Hautz part number	O.A. height	A	B	C	D	E	F	G	H	K	L	M	N	P
182	143T				4-1/2		4									
182	145T				4-1/2			5								
184	143T	1814T	1	1/2		5-1/2	4	5	3/4	1	1/2	2-1/4	7-1/2	3-3/4	7/16	5/16-18
184	145T					5-1/2		5								
213	182T				5-1/2		4-1/2									
213	184T				5-1/2			5-1/2								
215	182T	2118T	3/4	1		7	4-1/2		1	1/2	5/8	1-7/8	9-1/2	4-1/4	7/16	3/8-16
215	184T					7		5-1/2								
254U	213T				8-1/4		5-1/2									
254U	215T				8-1/4			7								
256U	213T	25U21T	1	1-1/8		10	5-1/2		1	3/4	3/4	2-1/2	13	5	9/16	3/8-16
256U	215T					10		7								
284U	254T				9-1/2		8-1/4									
284U	256T				9-1/2			10								
286U	254T	28U25T	3/4	1-3/8		11	8-1/4		1-1/4	1/2	3/4	2-1/2	14-1/2	5-1/2	9/16	1/2-13
286U	256T					11		10								
324S	284TS	324S284TS	1	1/2	10-1/2		9-1/2		1-1/2	3/4	3/4	3	13-1/2	6-1/4	11/16	1/2-13
326S	284TS					12	9-1/2									
326S	286TS	32S28TS	1	1/2		12		11	1-1/2	3/4	3/4	3	15	6-1/4	11/16	1/2-13
324U	284T				10-1/2		9-1/2									
324U	286T				10-1/2			11								
326U	284T	32U28T	1	1-1/2		12	9-1/2		1-1/2	3/4	3/4	3	16	6-1/4	11/16	1/2-13
326U	286T					12		11								
364US	324TS				11-1/4		10-1/2									
365US	324TS	36US324TS	1	5/8		12-1/4	10-1/2		1-7/8	3/4	3/4	3-1/2	15-3/4	7	11/16	5/8-11
365US	326TS	365US326TS	1	5/8		12-1/4		12	1-7/8	3/4	3/4	3-1/2	15-3/4	7	11/16	5/8-11
364U	324T				11-1/4		10-1/2									
364U	326T				11-1/4			12								
365U	324T	36U32T	1	1-3/4		12-1/4	10-1/2		1-3/4	3/4	3/4	3-1/2	16-3/4	7	11/16	5/8-11
365U	326T					12-1/4		12								

Information for conversions not listed available on request.

DIMENSIONS ARE IN INCHES CORRESPONDING TO LETTERS IN ABOVE DRAWING.

All units will accommodate an adjustable or stationary application.

All units, packed in cartons, are furnished with one coat of gray primer & all necessary nuts & bolts for making transitions.

OVER)

Certification for: _____

PT. No: _____ Date: _____ By: _____

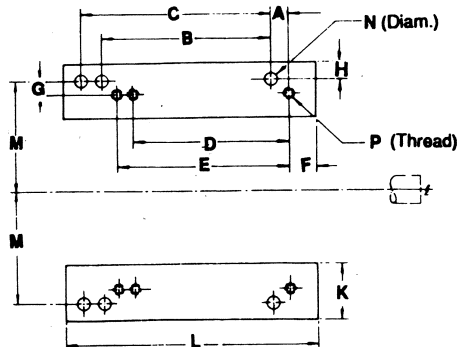


OVERLY HANTZ COMPANY

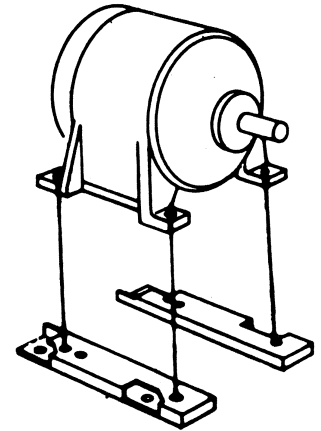
PO BOX 837 215 SOUTH WEST STREET LEBANON, OHIO 45036-0873
 PHONE 513.932.0025 FAX 513.932.1688 WWW.OVERLYHAUTZ.COM

DATA SHEET AD-6

ADAPT-O-MOUNT



adapting to the
NEMA
 "T" SERIES
 motors



Former NEMA	New NEMA	Overly-Hantz part number	O.A. height	A	B	C	D	E	F	G	H	K	L	M	N	P
404U	364T				12-1/4		11-1/4									
404U	365T				12-1/4			12-1/4								
405U	364T	40U36T	1	2		13-3/4	11-1/4		2	1	1-1/4	4	18-3/4	8	13/16	5/8-11
405U	365T					13-3/4		12-1/4								
404US	364TS				12-1/4		11-1/4									
404US	365TS				12-1/4			12-1/4								
405US	364TS	40US36TS	1	1-1/4		13-3/4	11-1/4		2	1	1-1/4	4	18	8	13/16	5/8-11
405US	365TS					13-3/4		12-1/4								
444U	404T				14-1/2		12-1/4									
444U	405T				14-1/2			13-3/4								
445U	404T	44U40T	1	2-1/4		16-1/2	12-1/4		2-1/4	1	1-1/4	4	22	9	13/16	3/4-10
445U	405T					16-1/2		13-3/4								
444US	404TS				14-1/2		12-1/4									
444US	405TS				14-1/2			13-3/4								
445US	404TS	44US40TS	1	7/8		16-1/2	12-1/4		2-1/8	1	1-1/4	4	20-1/2	9	13/16	3/4-10
445US	405TS					16-1/2		13-3/4								
444US	364TS				14-1/2		11-1/4									
444US	365TS				14-1/2			12-1/4								
445US	364TS	44US36TS	2	2-1/8		16-1/2	11-1/4		2-1/8	2	1	4-3/4	21-3/4	9	13/16	5/8-11
445US	365TS					16-1/2		12-1/4								
444U	364T				14-1/2		11-1/4									
444U	365T				14-1/2			12-1/4								
445U	364T	44U36T	2	4-3/8		16-1/2	11-1/4		2-1/8	2	1	4-3/4	24	9	13/16	5/8-11
445U	365T					16-1/2		12-1/4								
444US	364T				14-1/2		11-1/4									
444US	365T				14-1/2			12-1/4								
445US	364T	44US36T	2	0		16-1/2	11-1/4		2	2	1	4-3/4	19-1/2	9	13/16	5/8-11
445US	365T					16-1/2		12-1/4								

Information for conversions not listed available on request.

DIMENSIONS ARE IN INCHES CORRESPONDING TO LETTERS IN ABOVE DRAWING.

All units will accommodate an adjustable or stationary application.

All units, packed in cartons, are furnished with one coat of gray primer & all necessary nuts & bolts for making transitions.

(OVER)

Certification for: _____

PT. No: _____ Date: _____ By: _____

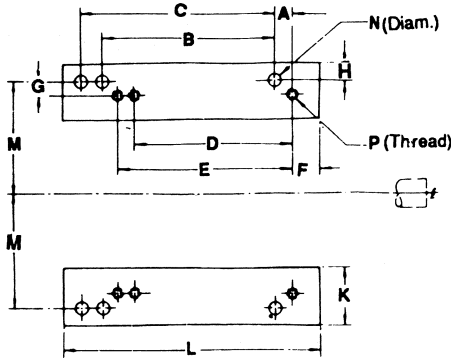
D/S AD-6



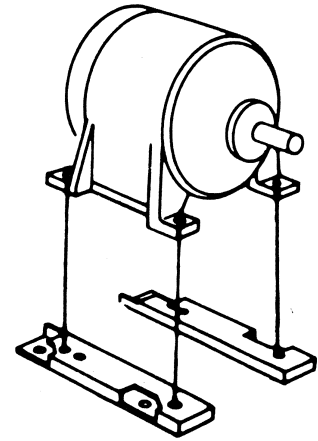
OVERLY HAUTZ COMPANY
 PO BOX 837 215 SOUTH WEST STREET LEBANON, OHIO 45036-0873
 PHONE 513.932.0025 FAX 513.932.1688 WWW.OVERLYHAUTZ.COM

DATA SHEET AD-7

ADAPT-O-MOUNT



adapting to the
NEMA
 "T" SERIES
 motors



Former NEMA	New NEMA	Overly-Hautz part number	O.A. height	A	B	C	D	E	F	G	H	K	L	M	N	P
203	143T				5-1/2		4									
203	145T	2014T	1-1/2	7/8	5-1/2			5								
204	143T					6-1/2	4									
204	145T					6-1/2		5	3/4	1-1/4	1/2	2-1/2	9	4	7/16	5/16-18
213	143T				5-1/2		4									
213	145T	2114T	1-3/4	2	5-1/2			5								
215	143T					7	4									
215	145T					7		5	1	1-1/2	5/8	2-7/8	10-1/2		7/16	3/8-16
224	143T				6-3/4		4									
224	145T	2214T	2	2	6-3/4			5								
225	143T					7-1/2	4									
225	145T					7-1/2		5	3/4	1-3/4	1/2	5	11	4-1/2	7/16	5/16-18
224	182T				6-3/4		4-1/2									
224	184T	2218T	1	1	6-3/4			5-1/2		3/4	3/4	2-1/2	10-1/4		7/16	3/8-16
225	182T					7-1/2	4-1/2		1							
225	184T					7-1/2		5-1/2								
254	182T				8-1/4		4-1/2	5-1/2								
254	184T	2518T	1-3/4	2-1/8	8-1/4		4-1/2	5-1/2	1	1-1/4	3/4	3	12-1/4	5	9/16	3/8-16
254	213T				8-1/4		5-1/2		1	3/4	3/4	2-1/2	11		9/16	3/8-16
254	215T	2521T	1	3/4	8-1/4			7								
284	213T				9-1/2		5-1/2									
284	215T	2821T	1-3/4	1-5/8	9-1/2			7	1-1/4	1-1/4	1	3-1/4	13-3/8		9/16	3/8-16

Information for conversions not listed available on request.

DIMENSIONS ARE IN INCHES CORRESPONDING TO LETTERS IN ABOVE DRAWING.

All units will accommodate an adjustable or stationary application.

All units, packed in cartons, are furnished with one coat of gray primer & all necessary nuts & bolts for making transitions.

(OVER)

Certification for: _____

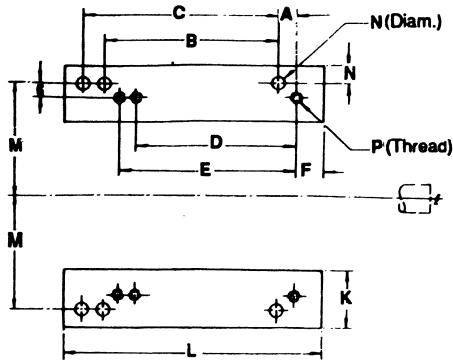
PT. No. _____ Date: _____ By: _____ D'S AD 7



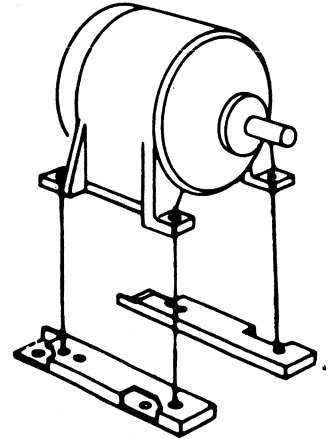
OVERLY HAUTZ COMPANY

PO BOX 837 215 SOUTH WEST STREET LEBANON, OHIO 45036-0873
 PHONE 513.932.0025 FAX 513.932.1688 WWW.OVERLYHAUTZ.COM

DATA SHEET AD-7
 ADAPT-O-MOUNT



adapting to the
NEMA
 "T" SERIES
 motors



Former NEMA	New NEMA	Overly-Hautz part number	O.A. height	A	B	C	D	E	F	G	H	K	L	M	N	P
324	213T				10-1/2		5-1/2									
324	215T	3221T	2-3/4	3-1/4	10-1/2			7	1-1/4	2	1	4	17-1/2	6-1/4	11/16	3/8-16
326	213T					12	5-1/2									
326	215T					12		7								
324	254T				10-1/2		8-1/4									
324	256T	3225T	1-3/4	1-7/8	10-1/2			10	1-1/4	1-1/4	7/8	3-3/4	16		11/16	1/2-13
326	254T					12	8-1/4									
326	256T					12		10								
364	284T				11-1/4		9-1/2									
364	286T	3628T	2	2-1/8	11-1/4			11	1-1/4	1-1/2	7/8	4-1/4	16-1/2		11/16	1/2-13
365	284T					12-1/4	9-1/2									
365	286T					12-1/4		11								
404	284T				12-1/4		9-1/2									
404	286T	4028T	3	3-5/8	12-1/4			11	1-1/2	2-1/2	1	5	20	8	13/16	1/2-13
405	284T					13-3/4	9-1/2									
405	286T					13-3/4		11								
404	324T				12-1/4		10-1/2									
404	326T	4032T	2	2-1/2	12-1/4			12	2	1-3/4	1	4-3/4	19-1/2	8	13/16	5/8-11
405	324T					13-3/4	10-1/2									
405	326T					13-3/4		12								
444	324T				14-1/2		10-1/2	12								
444	326T	4432T	3	4-1/8	14-1/2				1-3/4	2-3/4	1	5-3/4	23-1/2	9	13/16	5/8-11
445	324T					16-1/2	10-1/2	12								
445	326T					16-1/2										
444	364T				14-1/2		11-1/4									
444	365T	4436T	2	2-7/8	14-1/2			12-1/4	1-1/4	2	1-1/8	5	21-3/4	9	13/16	5/8-11
445	364T					16-1/2	11-1/4									
445	365T					16-1/2		12-1/4								

Information for conversions not listed available on request.

DIMENSIONS ARE IN INCHES CORRESPONDING TO LETTERS IN ABOVE DRAWING.

All units will accommodate an adjustable or stationary application.

All units, packed in cartons, are furnished with one coat of gray primer & all necessary nuts & bolts for making transitions.

(OVER)

Certification for: _____

Pt. No: _____ Date: _____ By: _____