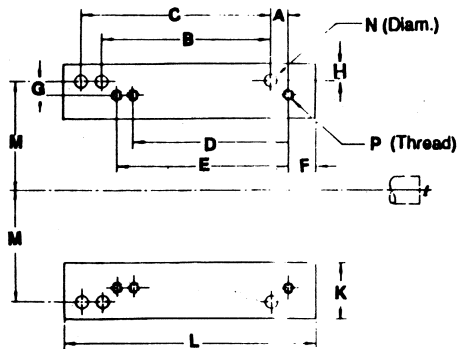




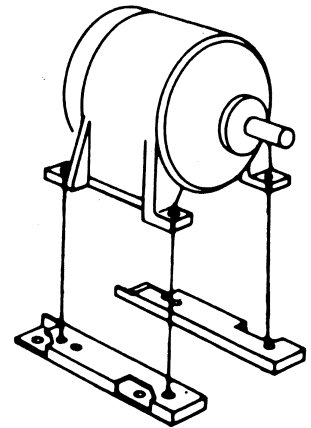
OVERLY HAUTZ COMPANY
 PO BOX 837 215 SOUTH WEST STREET LEBANON, OHIO 45036-0873
 PHONE 513.932.0025 FAX 513.932.1688 WWW.OVERLYHAUTZ.COM

DATA SHEET AD-6

ADAPT-O-MOUNT



adapting to the
NEMA
 T SERIES
 motors



Former NEMA	New NEMA	Overly-Hautz part number	O.A. height	A	B	C	D	E	F	G	H	K	L	M	N	P
182	143T				4-1/2		4									
182	145T				4-1/2			5								
184	143T	1814T	1	1/2		5-1/2	4	5	3/4	1	1/2	2-1/4	7-1/2	3-3/4	7/16	5/16-18
184	145T					5-1/2		5								
213	182T				5-1/2		4-1/2									
213	184T				5-1/2			5-1/2								
215	182T	2118T	3/4	1		7	4-1/2		1	1/2	5/8	1-7/8	9-1/2	4-1/4	7/16	3/8-16
215	184T					7		5-1/2								
254U	213T				8-1/4		5-1/2									
254U	215T				8-1/4			7								
256U	213T	25U21T	1	1-1/8		10	5-1/2		1	3/4	3/4	2-1/2	13	5	9/16	3/8-16
256U	215T					10		7								
284U	254T				9-1/2		8-1/4									
284U	256T				9-1/2			10								
286U	254T	28U25T	3/4	1-3/8		11	8-1/4		1-1/4	1/2	3/4	2-1/2	14-1/2	5-1/2	9/16	1/2-13
286U	256T					11		10								
324S	284TS	324S284TS	1	1/2	10-1/2		9-1/2		1-1/2	3/4	3/4	3	13-1/2	6-1/4	11/16	1/2-13
326S	284TS					12	9-1/2									
326S	286TS	32S28TS	1	1/2		12		11	1-1/2	3/4	3/4	3	15	6-1/4	11/16	1/2-13
324U	284T				10-1/2		9-1/2									
324U	286T				10-1/2			11								
326U	284T	32U28T	1	1-1/2		12	9-1/2		1-1/2	3/4	3/4	3	16	6-1/4	11/16	1/2-13
326U	286T					12		11								
364US	324TS				11-1/4		10-1/2									
365US	324TS	36US324TS	1	5/8		12-1/4	10-1/2		1-7/8	3/4	3/4	3-1/2	15-3/4	7	11/16	5/8-11
365US	326TS	365US326TS	1	5/8		12-1/4		12	1-7/8	3/4	3/4	3-1/2	15-3/4	7	11/16	5/8-11
364U	324T				11-1/4		10-1/2									
364U	326T				11-1/4			12								
365U	324T	36U32T	1	1-3/4		12-1/4	10-1/2		1-3/4	3/4	3/4	3-1/2	16-3/4	7	11/16	5/8-11
365U	326T					12-1/4		12								

Information for conversions not listed available on request.

DIMENSIONS ARE IN INCHES CORRESPONDING TO LETTERS IN ABOVE DRAWING.

All units will accommodate an adjustable or stationary application.

All units, packed in cartons, are furnished with one coat of gray primer & all necessary nuts & bolts for making transitions.

OVER)

Certification for: _____

PT. No: _____ Date: _____ By: _____

D/S AD-6