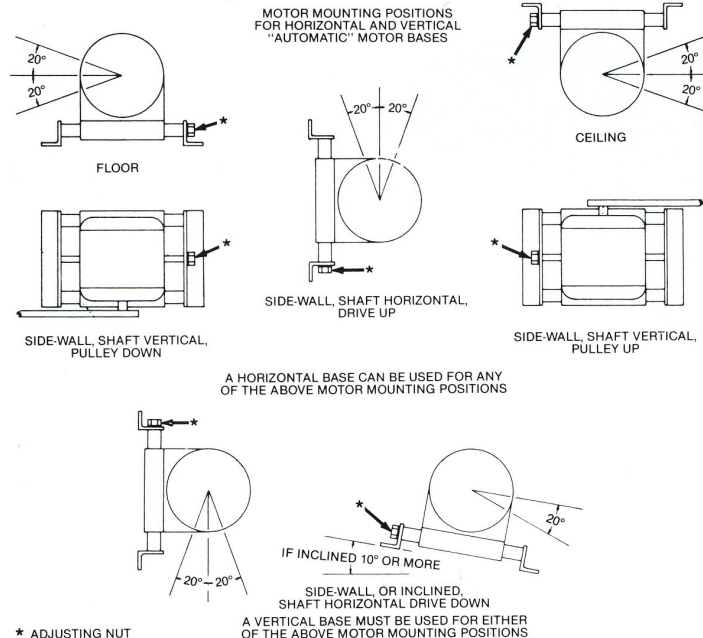




Motor Mounting Positions



The Proper Application of an "Automatic"[®] Motor Base:

- Eliminates many sources of machine down time.
- Continuously maintains the rated speed of the driven equipment.
- Results in a substantial increase in belt life.
- Eliminates one of the main causes of bearing failures in motors.

We are sure that you will see the advantages of our Automatic motor bases when you recognize that they:

- May be mounted in any position, floor, ceiling, or sidewall with the motor shaft vertical or horizontal.
- Will allow motor rotation to be **clockwise**

or counterclockwise maintaining constant belt tension.

- Are a must for areas that are not readily accessible.
- Adjustments to provide proper tension are made while the motor is operating under load.
- Can be used in "shock loaded" situations.
- Have a one piece carriage resulting in a non-binding smooth movement.
- Compact design—less space required than tilting or pivoting bases.
- Are low cost when considering the time saved by maintenance personnel, extended life of belts and bearings and greater uptime of the equipment on which they are used.

We pioneered the concept of fabricated motor bases and rails over 35 years ago. With the addition of our Adapt-O-Mounts (transition bases), Sugar Scoops and now the "Automatic"[®] Motor Base, we have the world's most complete line of motor mounting products—and **most of these are in stock!**

We will quickly provide "specials" to your design or we will design to your specifications.



OVERLY HAUTZ COMPANY

PO BOX 837 215 SOUTH WEST STREET LEBANON, OHIO 45036-0837
PHONE 513.932.0025 FAX 513.932.1688 WWW.OVERLYHAUTZ.COM